

QUASAR AQUAPOINTE ELECTRONIC (TOUCH FREE) HYDRATION STATION COMBO - Retrofit Kit PWEBQ

APPLICATIONS

Suitable for public building, gymnasiums, sports complexes, hospitals, schools and offices.

FEATURES • BENEFITS

- Electronic (Touch Free) Surface Mount Retrofit Bottle Filler
- Hands free activation with shut off timer
- Hands free QUASAR with mercury-free UVC-LED treatment at dispense point
- Built in bottle counter, filter monitor and programmable time-out feature
- Large Alcove to fit most sports bottles
- Energy-Efficient LED's illuminate alcove and aid's bottle filling
- Built in drain-no drip tray to empty
- Heavy duty galvanized steel frame
- Standard finish: brushed stainless steel
- ANSI/NSF 61
- CABO/ANSI A117.1

OPTIONS (at additional cost)

- Remote Chiller
- Green filter
- Installation Kit



SPECIFICATIONS

QUASAR VersaFiller PWEBQ is a Retrofit Bottle Filler. This unit is an Electronic (Touch Free) surface mount bottle filler. It includes an electronic sensor for a no touch activation and a 30 second shut off timer.

Perfect to combine with one of our Versacooler Drinking Fountains.

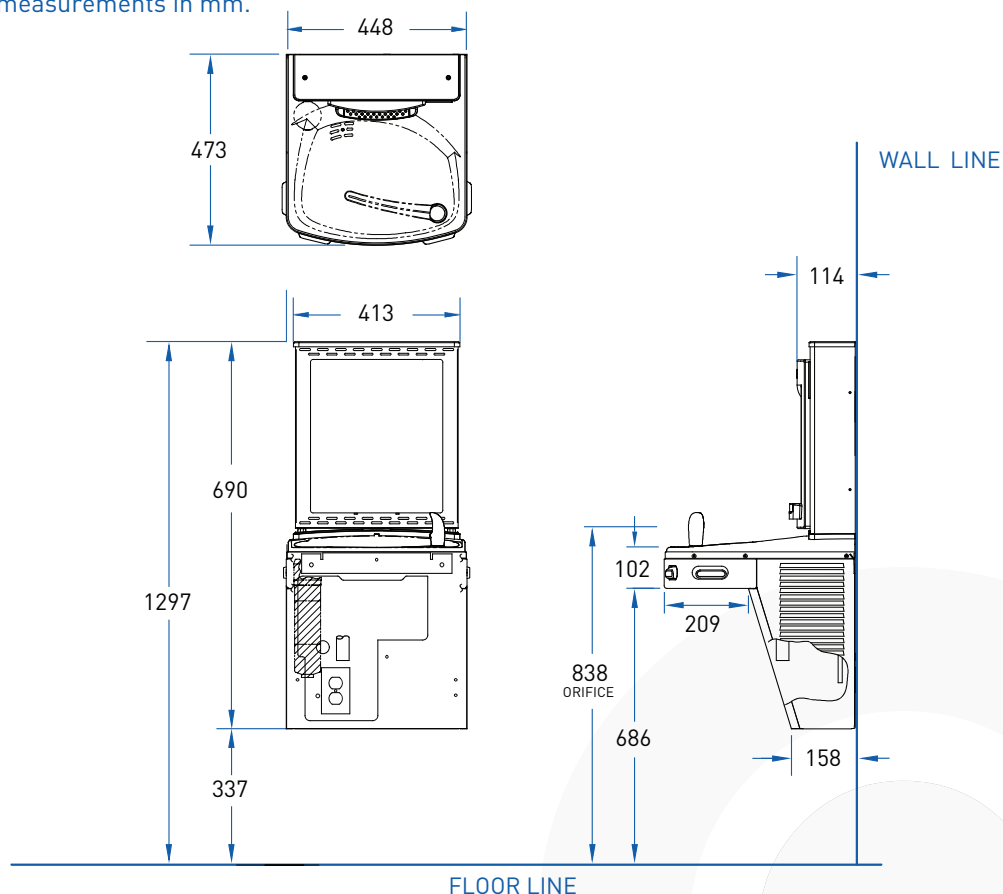
QUASAR bottle filler shall have UVC-LED treatment at the dispense point, which disinfects the water while it is being dispensed. UVC-LED also cycles on periodically to keep the dispense point sanitized between dispenses.

Key VersaFiller bottle filler molded components shall contain Freshield, which utilizes a silver-based antimicrobial compound that reduces the growth of micro-organisms and mildew to protect the surfaces from discoloration, odours and degradation.

Complies with ANSI A117.1 and ADA. Shall comply with all relevant CE directives (LVD, EMC, RoHS). Shall comply with ANSI/NSF 61.

Model	PWEBQ	
Type	Electronic (Touch Free) Retrofit Kit with QUASAR	
10° C Drinking Water/ 21° C Ambient Air Temp:	Non-Refrigerated	
Rated Capacity LPH		
Base Rate LPH		
Pre-Cooler		
Hot'N Cold™ Model		
220-240 Volts, 50/60HZ:		
Compr. HP		
Full Load Amps		0.1
Rated Watts		7
Auto-Off Water Flow		Yes
Glass Filler ACC Option	No	
Cabinet Color Option	No	
Net Wt. Approx (kg)	5	

*All measurements in mm.



Head Office
 Aqua Synergy Group
 Phone 09 414 5600 Fax 09 414 5601
 PO Box 300419, Albany, Auckland 0752
 1 Dallan Place, Rosedale, Auckland 0632